

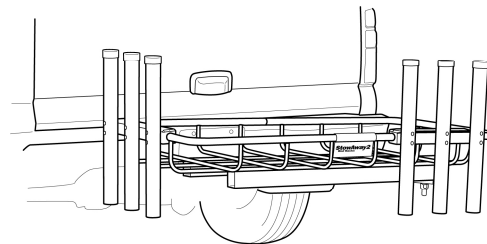
StowAway²

Cargo Carriers

Rod Holder #025.41 Assembly Instructions

r0509

This assembly includes 3 tubes, mounting brackets and hardware. This assembly can be purchased separately or as part of the StowAway Rod Rack #025.4



Please review the instructions and warranty carefully before assembling the unit

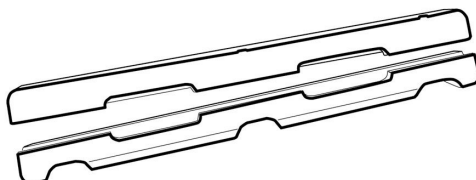
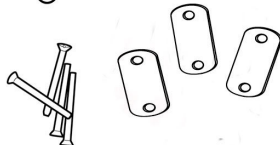
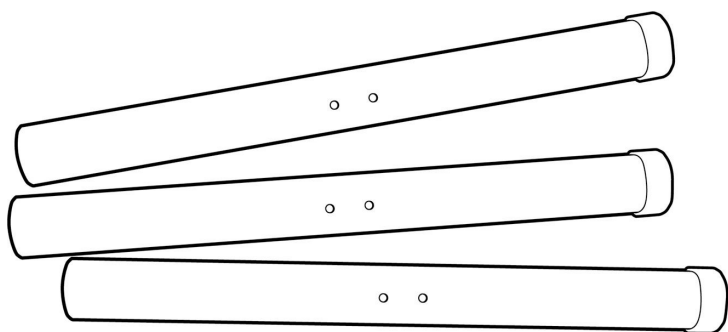
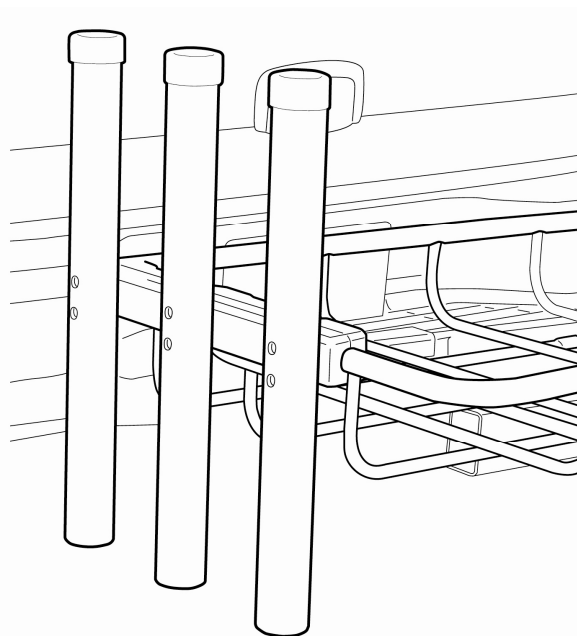
Assembly and installation of the cargo rack are the end user's responsibility and beyond Pacific Recreational Product's control. PRP limits its warranty to the repair or replacement of a defective product for up to five years from retail purchase. Damage to your vehicle, cargo, or to any person or property is excluded.

Each Rod Holder Assembly Carton Contains—(see below)

1. 3 - Anodized Aluminum Rod Tubes
2. 2 - Rod Holder Brackets— "A" is the outside bracket, "B" is the inside bracket (inside the rack rail)
3. 6 - Bolts
4. 6 - Round washers
5. 6 - Nuts
6. 3 - Oval, radiused washers, two holes in each

Tools Required

- Phillips screwdriver
- 7/16" socket or wrench



B

Note: Hardware quantities may not match hardware list above.



StowAway²

Cargo Carriers

Assembling the Rod Holders

Note: The rod holders should be mounted to the driver's side and back railing of the cargo rack. Refer to the picture on the other side of these instructions.

Note: The oval washers should be located inside the tubes when the rod holders are fully assembled.

- 1 Select a tube, bolt and the outside bracket A. The oval washer should already be tied into place inside the tube. Do not remove the plastic connector from the oval washer at this time. Position the tube against the outside (A) bracket as shown in Figure A, the larger bolt holes away from the bracket. From the outside push a bolt through the larger hole, the oval washer, the smaller hole and the bracket as shown in Figure A. Cut the wire tie holding the oval washer and insert the second bolt through the matching holes in the tube, oval washer and bracket. Refer to Figure A.
- 2 Position the outside bracket and tube against the cargo rack railing at the spot where you want to mount the rod holders, as shown in Figure B. Place the inside half of the rod holder bracket against the cargo rack railing so that the bolts go through the inside bracket. Fasten the bracket together with a round washer and nut as shown in Figure C. Tighten enough to secure the bracket in place but do not fully tighten yet.
- 3 Install the two remaining tubes onto the bracket repeating the steps 1 and 2 above.
- 4 Once all three tubes are mounted to the bracket, position the rod holder at the desired angle and location and fully tighten all screws and nuts.
- 5 Repeat process for the second rod holder.

Please call us with any questions at 1.800.943.5377

Thank you for purchasing the StowAway Rod Holder.

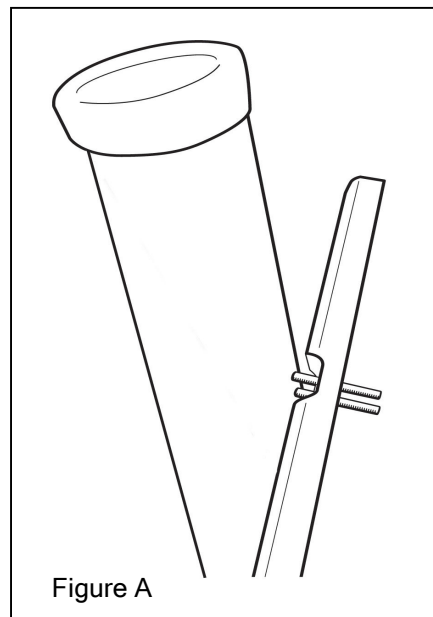


Figure A

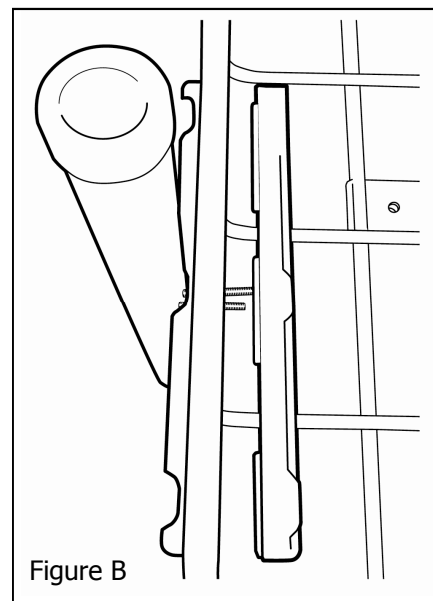


Figure B

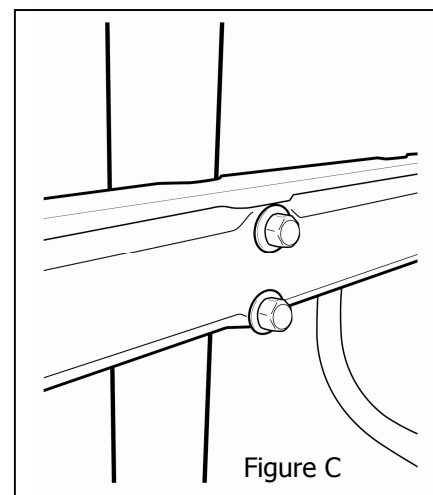


Figure C